

TELEPHONES LE LAS (FRANCE Head Office)

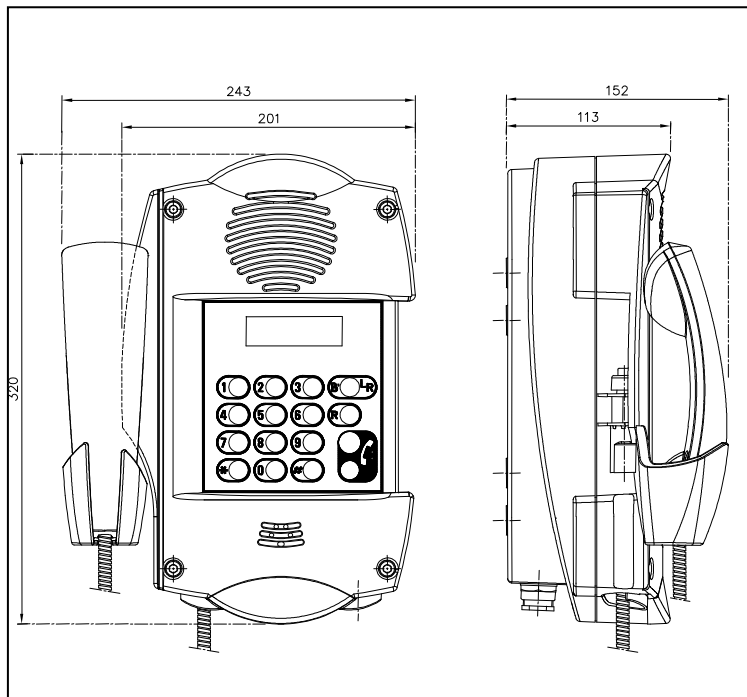
Tel:0033 1 48766262

E-mail: [lelas@lelas.fr](mailto:lelas@lelas.fr)

Fax:0033 1 48768304

Web-site:[www.lelas.fr](http://www.lelas.fr)

All screws are stainless-steel



Weather proof IP66 telephone  
for wall mounting, indoor or outdoor, for the locale  
industrial and noisy  
**TLA 402 E2**

### Electrical Characteristics:

Direct current supply:	12 to 60 Vdc
Consumption:	< 40mA
Ringing voltage:	35 – 80 Va
Dialling:	DTMF / decimal
Flashing/earth:	adjustable
Electronic Bell:	90dB at 1 m.
Visual calling signal :	On require
LCD:	On require
Noise cancelling:	noise cancelling circuit
Hook:	magnetic
Conversation Mode:	By handset
<b>Others:</b>	CCITT Q23

### Available Versions:

TLA402E2A/XC : display+8 N° memories+ Anti-noisy  
headset socket + hands free function  
TLA402E2AT : display+8 N° memories+ remote  
control + hands free function  
TLA402E2FT : display+8 N° memories+ remote  
control + hands free + integrated flashing beacon

Body material / Color:.....Polyester plastic / RAL2003(\*)  
Handset material / color : .....Polyester plastic / Black  
Handset cord: .....stainless steel 100kg resistance  
Loudspeaker/microphone: .....vandal resistant /5W  
Mounting: .....on wall  
Termination: .....Inside screw connections  
Dimensions: : ..... 201 X 320 X 113 mm  
Weight:.....2,3 kg  
IP-rating:.....IP66  
Max. / min. amb. Temp:.....-40 °C / + 60°C  
Maintenance:

all circuits and control devices are fixed on the easy removable  
front plate for a very quick substitution of equipment in field

(\*) Color: Black and Red as demand



### Installation, Operation and Maintenance Procedures

- Open the pivoting front panel removing the three screws.
- Pass the cables through the cable glands being sure that the cable fit with the rubber gasket
- Connect the telephone wires at the screw terminals as indicated in the operator's book
- Make a functional test calling another extension and asking to be re-called
- Adjust the volume of the bell (see operator's book)
- Adjust the sensitivity of the microphone (see operator's book)
- Close the front panel paying attention to the position of the gaskets
- This equipment is supplied with a 2 year warranty against defective workmanship

TELEPHONES LE LAS reserves the right to alter specifications without notice.