

## CD 800P I



## Control Desk Base Station CD 800P I

With the high-quality, timeless design of the new CONDUCTOR control desk, what you see is not all you get. Whether as a durable desktop console or custom fitted solution, the CONDUCTOR installs presto and is just as quick and easy

to use. What is more, the entire unit can be tilted to suit your individual ergonomic needs by adjusting to your ambient light and seating conditions.

### CD 800P I

IP control desk base station with LCD graphic display with white backlight, back-lit alphanumeric standard keypad, function buttons, 8 direct dialling buttons with 3-colour LEDs, electret microphone with multifunction LED, loudspeakers 2x8Ω, 3 inputs for floating contacts and 2 relay outputs (connection as "make" or "break" contact), protection classification IP 50, polycarbonate construction.

# Technical Data – Benefits

## TECHNICAL DATA

IP rating:	IP 50
Front panel:	Polycarbonate
Microphone:	Omnidirectional electret microphone for max. 7 m (23 ft) speaking distance
Loudspeaker:	Special membrane type for optimal sound quality, sound pressure: 85 dB/1 W/1 m (3.28 ft), 2x8 Ω
Amplifier:	integrated class “D” amplifier with 2.5 W
Sound pressure:	max. 99 dB
Handset, Headset:	EM sensitivity: 14 mV <sub>eff</sub> EM impedance: 3.3 kΩ / EM supply: 2.5V EP level: 850 mV <sub>eff</sub> at 0 dBm0 / EP impedance: 200 Ω
Input:	3 inputs for floating contacts (detection of 5 input states)
Output:	2 relay outputs (switch-over contacts) 30 V / 1 A
Line output:	for connection of loudspeaker module
Call indication:	multifunction LED (colours: red, green, blue)
Keypad:	alphanumeric full keypad, white backlight activation force: 3 N, 1.5 x 10 <sup>6</sup> cycles 8 direct dialling buttons with 3-colour LEDs
Display:	Mono-LCD display, 128 x 64 pixel, white backlight
Transmission bandwidth:	16,000 Hz
Operating temperature range:	0°C to 70°C (32°F to 158°F)
Storage temperature range:	-20°C to 70°C (-4°F to 158°F)
Relative humidity:	up to 80% not condensing
Connection:	- pluggable screw terminals - expansion plug for direct dialling module (CDDD 32D), handset CDHS 50P, gooseneck mic (CDMI 50P HD) and headset module (CDHD 50P) IP Uplink: shielded RJ 45 modular jacks
Power supply:	PoE or external supply* 20–30 VDC power consumption: max. 5.7 W recommended power supply: PA30W24V *For supply of the direct dialling modules CDDD 32P a separate power supply is required.
Cabling:	min. Cat. 5
PoE (Power over Ethernet):	IEEE 802.3af standard Power consumption of the terminal device: Class 0 (0.44 W to 12.95 W)
Protocol:	VoIP-Protocol based on UDP/IP
Data rate:	10/100 MBit/s (Full/Half Duplex)
Mounting:	with included rear housing can be installed in control desks or as desktop version
Measurements:	with included rear housing W 262 mm, H 196 mm, D 45 mm (see page 5)
Weight incl. package:	approx. 920 g (2 lbs)
Colour:	white-aluminium: light-grey (like RAL 9006) rear housing: graphite-grey (like RAL 7024)

## BENEFITS

- Modular Control Desk system - can be installed in control desks or as desktop version
- Mono-LCD display
- Back-lit full keypad and function buttons
- 8 direct dialling buttons with 3-colour LEDs
- Expandable to 104 direct dialling buttons with CDDD 32P Direct Dialling Modules
- Expansion modules for handset, gooseneck microphone and headset
- Protection classification IP 50
- Supports DSP-Features such as OpenDuplex®, Audio Monitoring, Microphone-/Loudspeaker Surveillance, etc.

## LINE LENGTH IN LAN

The maximum line length of Cat. 5 cabling in a LAN is 100 m (328 ft) – e.g. from switch to Intercom station.

## EXTENT OF SUPPLY

- Control desk base station
- Rear housing
- Connection cable Cat. 5 (3 m / 9.8 ft)
- Short reference



# System/Network Requirements

---

## SYSTEM REQUIREMENTS

---

- GE 800 (min. PRO 800 2.1) with G8-IP/G8-IP-32 and Feature Level D\*
- GE 300 (min. PRO 800 2.1) with G3-IP and Feature Level D\*
- IS 300 (min. PRO 800 2.1) with subscriber Feature Level D\*
- Configuration software min. CCT 800 2.1
- Configuration software IPStationConfig (included in Setup of CCT 800 2.1)

\* Note: Base terminals of Series CD are automatically recognized in the system as "control desk." If no direct dialling modules CDDD 32P are connected and no control desk function is required, Feature Level "B" or "C" of the subscriber card is sufficient.

## REQUIREMENTS TO THE NETWORK

---

### IP-Addresses and Ports

- For the CD 800P I the DHCP functionality is available.  
If DHCP is not used, the CD 800P I must have a fixed IP-address.
- In case of a changing public IP-address, dynamic registration of a CD 800P I is possible.
- Communication from the program IPStationConfig is done via Port 16399 (can not be configured).
- Communication from the CD 800P I to the Intercom Server (UDP protocol) is done via port 16400 (configurable).

### QoS Requirements

- Maximum One-Way-Delay 100ms
- Delay-Jitter not above 50ms
- 0% packet loss for perfect audio quality

### Bandwidth

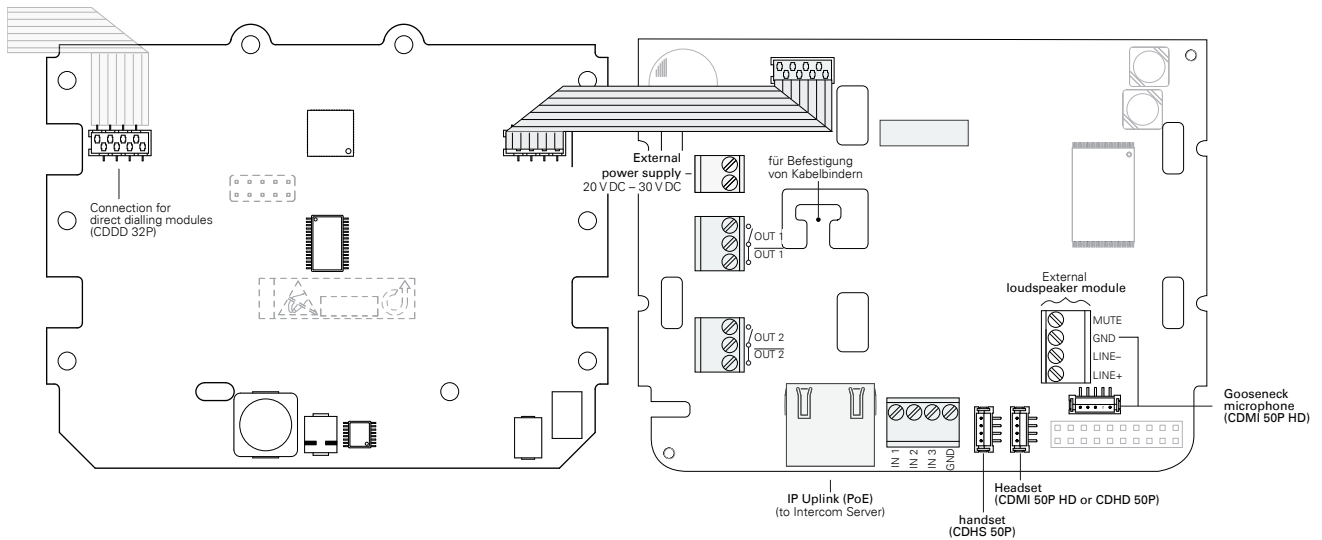
- Required Bandwidth incl. protocol overhead per CD 800P I, for upload/download each: speech and data 96 kBit/s
- Speech is compressed according to G.722 standard

# Installation

## PRECAUTIONS

- When opening the stations ESD precautions must be observed.
- The stations may only be opened by authorised service engineers.

## CONNECTION



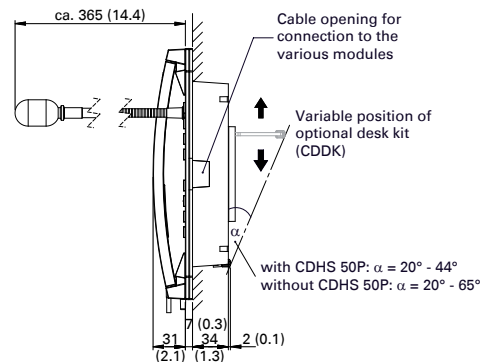
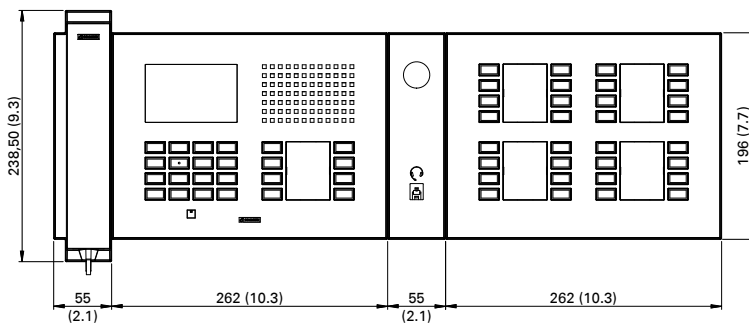
# Installation

## MOUNTING INSTRUCTIONS

- The faceplates are fastened to the rear housings via screws from behind. Therefore the control desk surface must be accessible from the rear.
- Before mounting in desk, break out the mounting openings from the rear housing.
- The extent of supply includes screws for sheet metal (6 pcs. M3.5 mm x 9.5 mm Tx10) and wood screws (6 pcs. M3.5 mm x 30 mm Tx10) for mounting in desks.
- For placing on desks the desk kit CDDK is available. Per base station, direct dialling module and touchscreen module one CDDK is required.

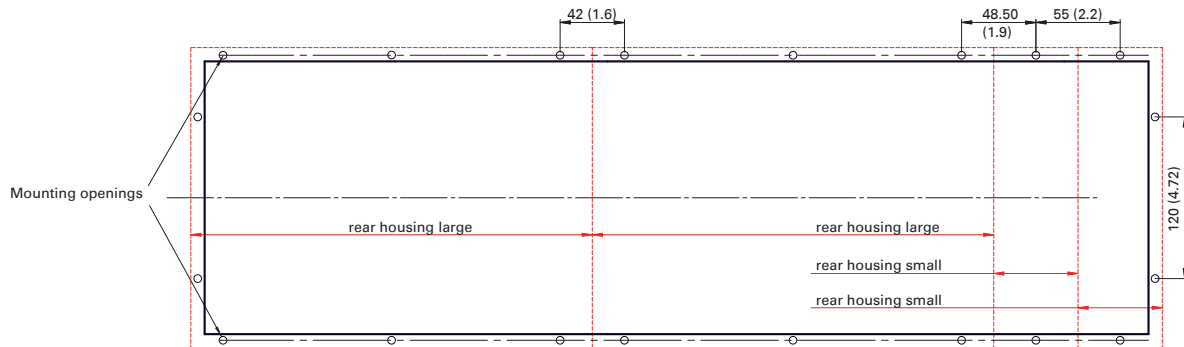
## MEASUREMENTS FACE PLATE

Measurements in mm (inch), not to scale!



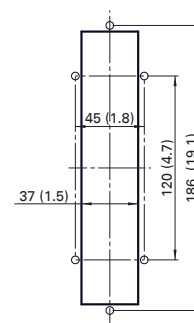
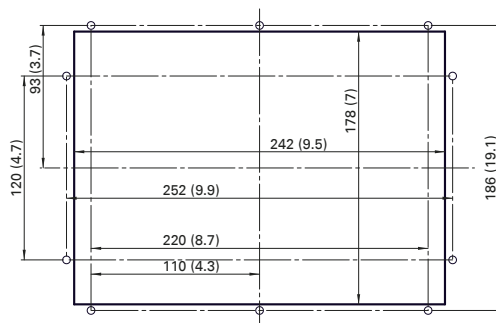
## MEASUREMENTS FLUSH MOUNTING IN DESK

Measurements in mm (inch), not to scale!



Cut-out + hole pattern rear housing large

Cut-out + hole pattern rear housing small



# COMMEND

A Strong Network | Worldwide

## Europe

SWITZERLAND : **Commend AG**  
 LIECHTENSTEIN : Tel. +41-44-955 02 22  
 : www.commend.ch

FRANCE : **Commend France S.A.S.**  
 : Tel. +33-149 18 16 40  
 : www.commend.fr

SPAIN : **Commend Ibérica S.L.**  
 PORTUGAL : Tel. +34-91-395 24 98  
 : www.commend.es

ITALY : **Commend Italia S.R.L.**  
 : Tel. +39-035-95 39 63  
 : www.commend.it

NETHERLANDS : **Commend Benelux B.V.**  
 BELGIUM : Tel. +31-76-200 01 00  
 LUXEMBURG : www.commend.nl

AUSTRIA : **Commend Österreich GmbH**  
 SLOVENIA : Tel. +43-1-715 30 79  
 RUSSIA : www.commend.at  
 HUNGARY :

CROATIA : **Commend Adria d.o.o.**  
 SERBIA : Tel. +385-1-369 11 23  
 BOSNIA-HERZEGOVINA : www.commend.hr  
 MONTENEGRO  
 MACEDONIA  
 KOSOVO  
 ALBANIA :

SLOVAKIA : **Commend Slovakia spol. s r.o.**  
 CZECH REPUBLIC : Tel. +421-2-58 10 10 40  
 : www.commend.sk

UNITED KINGDOM : **Commend UK Ltd**  
 IRELAND : Tel. +44-1279-87 20 20  
 : www.commend.co.uk

SWEDEN : **Commend Business Hub Nordic**  
 NORWAY : JNT Sound System AB  
 FINLAND : Tel. +46-8-99 30 60  
 DENMARK : www.jnt.se  
 ICELAND :

POLAND : **C&C Partners Telecom Sp.z o.o.**  
 : Tel. +48-65-525 55 55  
 : www.ccpartners.pl

GERMANY : **Schneider Intercom GmbH**  
 : Tel. +49-211-88285-333  
 : www.schneider-intercom.de

## America

USA : **Commend Inc.**  
 CANADA : Tel. +1-201-529-2425  
 LATIN AMERICA : www.commendusa.com

## Asia-Pacific

AUSTRALIA : **Commend Australia**  
 NEW ZEALAND : Tel. +61-3-9729-3700 (Melbourne)  
 : Tel. +61-2-4655-5738 (Sydney)  
 : www.commend.com.au

CHINA : **Commend Business Hub China**  
 : Tel. +86-21-52 13 19 28  
 : www.commend.cn

SINGAPORE : **Commend Business Hub Asia**  
 Isoelectra Far East Pte. Ltd  
 : Tel. +65-6272-2371  
 : www.commend.com.sg

ISRAEL : **Sberlophone Ltd**  
 : Tel. + 972-4-834 10 32  
 : www.sberlophone.co.il

## Africa

SOUTH AFRICA : **Commend Business Hub South Africa**  
 : Evolving Management Solutions (Pty) Ltd  
 : Tel. +27-11-274 6665  
 : www.commend.co.za

ALGERIA : **Commend France S.A.S.**  
 TUNISIA : Tel. +33-149 18 16 40  
 MOROCCO : www.commend.fr

## Other countries

: **Commend International GmbH**  
 : Tel. +43-662-85 62 25  
 : www.commend.com



SECURITY AND COMMUNICATION